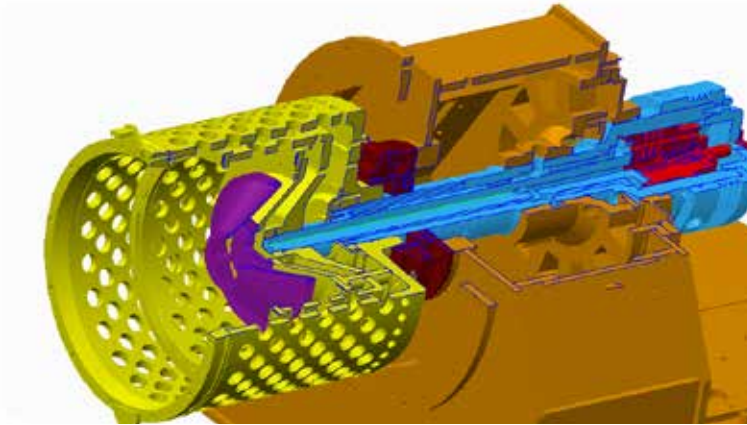


# Pusher Centrifuge



We welcome the process industries who require the technology enhancement and better solution for solid/liquid separation equipment. we are totally focused in specific solid/liquid separation domain and promoting the mechanical separation system to solve the problem in processing industries at low cost. Infil always ready to facilitate the customer service support at optimum level."Infil" always committed to provide best service (After Market support) and look forward to make a strong relationship



### Best suitable for

Crystalline products with an average particle size in the range of 0.10 mm to 10mm and fibrous material up to 20mm fiber length.

Infil centrifuge also separate finer crystals having size small as 0.08mm to 0.1 mm with use of 50 micron screen and with specially designed pre thickener at input of centrifuges.

### Pusher centrifuge available

Pilot Plant purpose-250mm Dia

Large Production -350 and Above

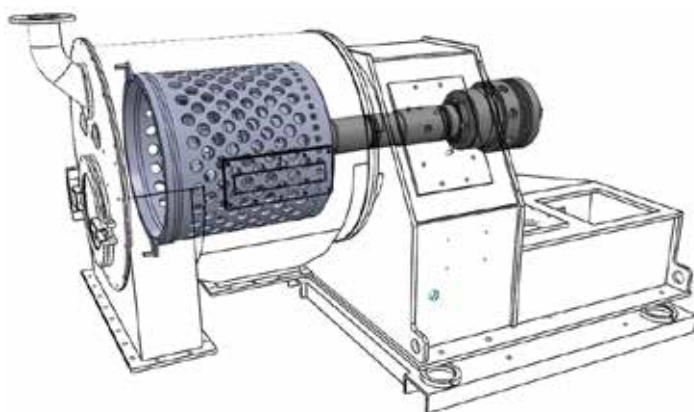
Parts-SS 304/ SS 304L/SS316/SS316L As on Request

### Advantages

- Low Vibration
- Continuous separation
- High solid output
- Low energy
- Low residual moisture
- Low maintain cost
- High washing capacity (efficiency)
- Low crystal breakage
- Low power consumption
- Low space requirements
- Less practice breakages

### Application

- |                       |                    |
|-----------------------|--------------------|
| Pesticides industries | Salt industry      |
| Pharmaceuticals       | Food industries    |
| Bulk chemical         | Textiles and paper |
|                       | Fiber industries   |



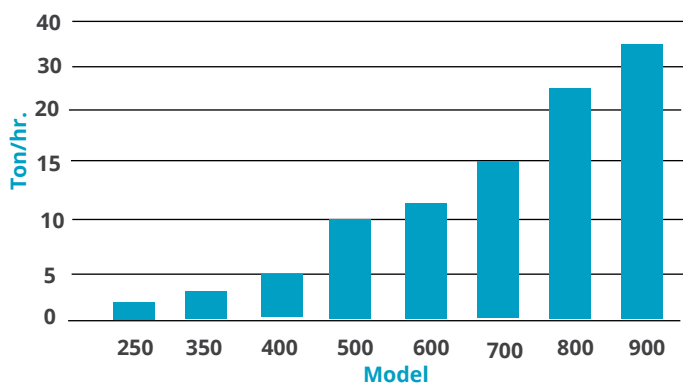


# Range of Pusher Centrifuges

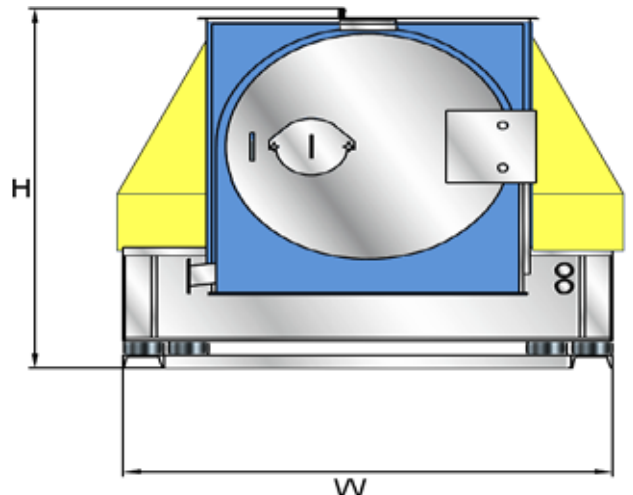
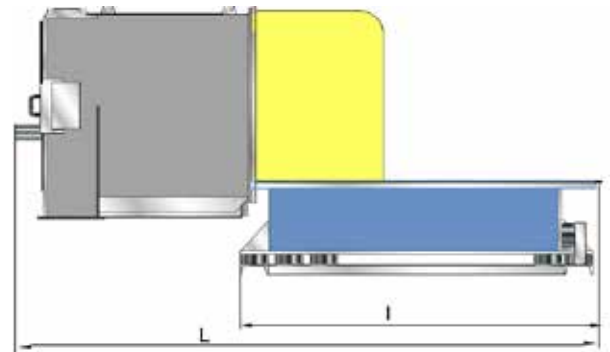
Model	250	350	400	500	600	700	800	900
Basket Dia (mm)	220	318	374	450	560	640	740	840
slurry Feed	Pipe	Pipe	Pipe	Pipe	Pipe	Pipe	Pipe	Pipe
No. Of Stages	2	2	2	2	2	2	2	2
Max Speed (r.p.m)	1800/2200	1200/1400	1000/1500	1000/1400	1000/1250	1000/1250	1000/1250	950/1100
Max. Stock (mm)	30	10	15	25	30	40	50	60
Main Motor (h.p.)	7.5	10	15	25	30	40	50	60
Main Motor (r.p.m.)	1440	1440	1440	1440	1440	1440	1440	1400
Pump Motor (h.p.)	5	7.5	10	15	20	25	30	40
Pump Motor (r.p.m.)	3000	2800	2800	3000	3000	3000	3000	3000
Pusher Drive	Hydraulic	Hydraulic	Hydraulic	Hydraulic	Hydraulic	Hydraulic	Hydraulic	Hydraulic
Nominal Diameter (mm)	220	318	374	460	560	640	740	840
L (mm)	2100	2100	2400	2500	2500	3000	3000	3250
W (mm)	1200	1200	1200	1250	1300	1500	1650	1750
H (mm)	1050	1150	1250	1300	1350	1500	1650	1900
Operating Weight (kg)	1400	1650	2000	2200	2400	3600	3910	5600
Capacity(NaCl) (Kg/hr.)	2000	3000	5000	10000	12000	15000	25000	35000

## Your Benefit.Our Centrifuge..!!!

Typical Production Quantities for Infilt Pusher centrifuge



Maximum Throughputs of infiltr pusher centrifuges with NaCl  
(Throughputs depend on feed condition)





Spline Bush



Guide Bush



Screen Set



Control Piece



Bearing Bush



Pully



Pusher Rod



Hollow Shaft



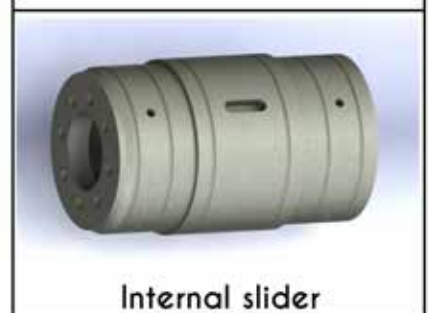
Wear Ring



Feed Distribution Cover



Scraper



Internal slider

These are the basic overview of spare of pusher centrifuge.

We are also make all type of components pusher centrifuge according requirements with reasonable cost..

## Get In Touch

Infilt Private Limited  
10, Kalptaru Industrial Estate,  
NR. Torrent Power, Opp. Kathwada GIDC,  
Nikol, Ahmedavad, Gujarat, India

Call:- +91 95370 30292

Email: [sales@infiltindia.com](mailto:sales@infiltindia.com)

[www.Infiltindia.com](http://www.Infiltindia.com)